



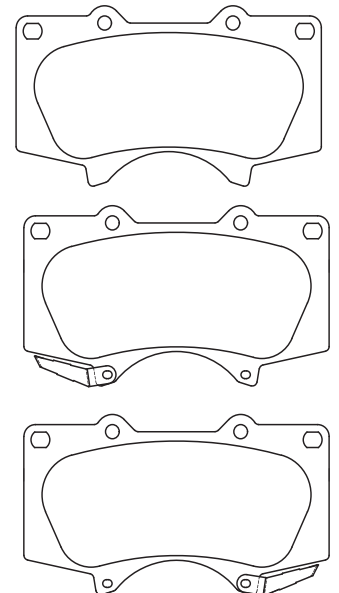
NEW TO MARKET

Brake Pads for the new Toyota Land Cruiser



PART-NO.: NP1162

Make	Model	Type	Year	Axle
TOYOTA	LAND CRUISER 200 (_J2_)	4.2 TD 4x4 (HZJ7_)	05/2015 -	front
TOYOTA	LAND CRUISER PRADO (_J15_)	2.7 (TRJ150_, TRJ155_) 3.0 D-4D (KDJ150_) 3.0 TDi (KDJ150_) 4.0 V6 Dual VVTi (GRJ150_) 4.0 V6 VVT-i (GRJ150_, GRJ125_)	08/2009 -	front
TOYOTA	LAND CRUISER PRADO (_J15_)	2.8 D-4D (GDJ150_, GDJ155_)	06/2015 -	front
TOYOTA	LAND CRUISER PRADO (_J15_)	3.0 D (LJ150_)	07/2009 -	front
TOYOTA	LAND CRUISER PRADO (_J15_)	3.0 D-4D (KDJ155_, KDJ150_)	10/2010 -	front
TOYOTA	LAND CRUISER PRADO (_J15_)	3.5 (GRJ152_)	09/2015 -	front
TOYOTA	LAND CRUISER PRADO (_J15_)	4.0 V6 VVT (GRJ150_) 4.0 V6 VVT (GRJ152_)	08/2013 -	front
TOYOTA	LAND CRUISER PRADO (_J15_)	4.0 V6 VVTi (GRJ150_)	01/2010 -	front



At TMD Friction we are proud of our ability to deliver premium O.E. braking solutions to the global aftermarket, proving our credentials as industry leaders for friction products.

As part of the Nisshinbo group - the largest original friction supplier to Asian vehicles - we provide our customers with an unrivalled range of O.E. brake friction for Asian vehicles with the Nisshinbo brand.

For further product information please visit:



www.nisshinbo-brakes.com